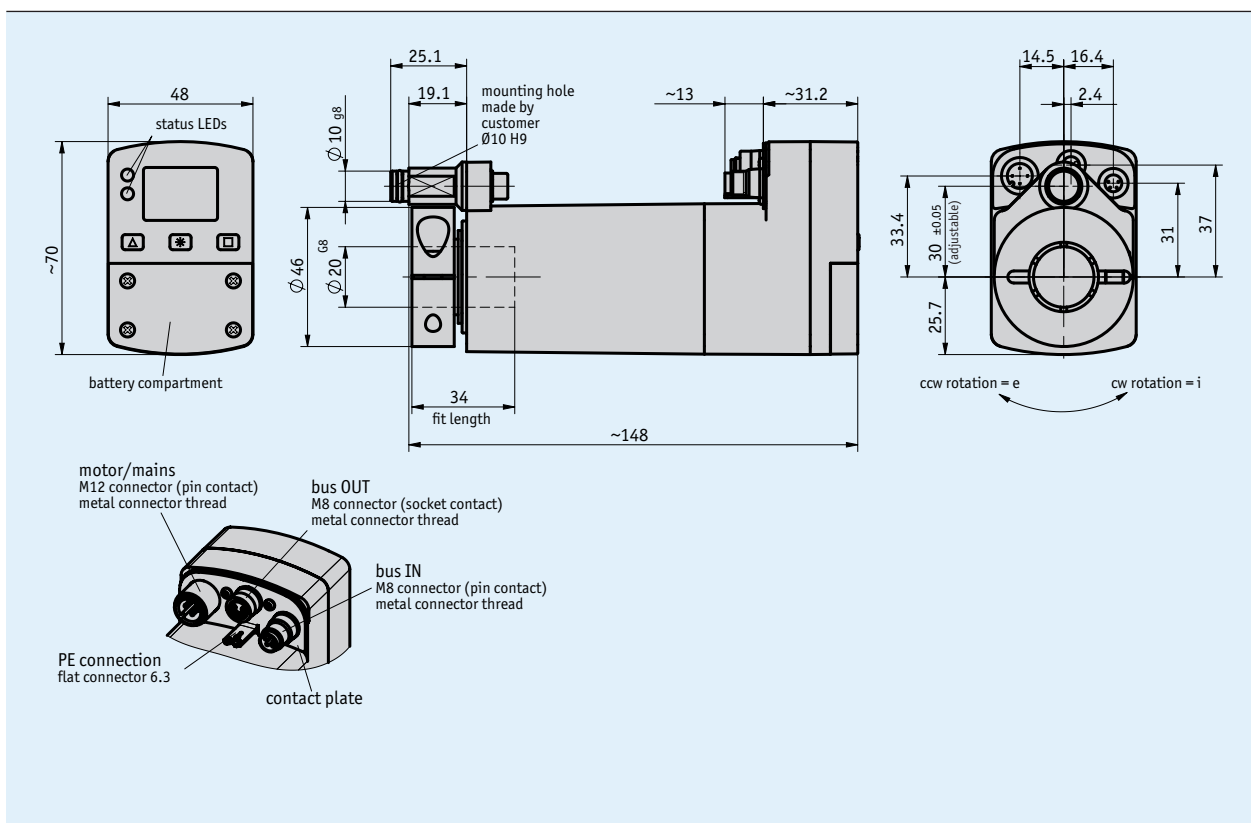


## Profile

- easy mounting, no additional coupling needed
- stainless steel hollow shaft, glass fibre reinforced casing
- brushless 24 VDC motor with long service life
- solid absolute sensor, magnetic sensing technology
- 2-line LCD for target and position value and operating keys
- 2 LEDs for user guidance
- integrated RS485 or CANopen interface
- Integrated positioning controller
- M8 + M12 component mounting technology
- Industry 4.0 ready



## Mechanical data

Feature	Technical data	Additional information
Shaft	stainless steel	
Housing	glass-fiber reinforced plastic	
Clamping ring	stainless steel	
Torque pin	stainless steel	
Nominal torque/rated speed	7 Nm at 30 rpm ±10 % 13 Nm at 15 rpm ±10 %	i = 188 i = 368 (14 Nm temporarily adm. break-away torque)
Operating mode	S3 intermittent duty: 25 % DC, 10 min.	EN 60034-1
Weight	~0.9 kg	

### Electrical data

Feature	Technical data	Additional information
Operating voltage	24 V DC $\pm 10\%$	reverse polarity protected, output stage
	24 V DC $\pm 10\%$	reverse polarity protected, control
Current consumption	2.42 A	max. adm. at set point 100% (output stage)
Power input	$\leq 58$ W	output stage
	$\leq 1.6$ W	control
Battery	CR2477N, 3 V lithium, 950 mAh	
Battery service life	$\sim 5$ year(s)	depending on environmental conditions
Parameter storage	$10^6$ cycles	also applies to calibration operations
Rated current	2.2 A $\pm 10\%$	at max. adm. torque (output stage)
	$< 60$ mA	at 24 V DC (control)
Display/display range	5-digit LCD 7-segment, $\sim 7$ mm height	decimal points, 2 rows, special characters
Special character	battery, direction arrows	
Status display	two LEDs	
Keys	parameterizing, resetting, inching, setpoint definition	
Bus connection	RS485; CANopen	no galvanic isolation
Type of connection	1x M12-plug connector (A-coded)	4-pole, 1x pin
	2x M8 plug connectors	4-pole, 1x socket, 1x pin
	grounding via flat connector 6.3 mm	

### System data

Feature	Technical data	Additional information
Resolution	720 increments/revolution shaft	
Repeat accuracy	$\pm 1$ increment(s)	
Travel range	$\pm 697$ revolution(s)	i = 188
	$\pm 356$ revolution(s)	i = 368
Failure rate	31 year(s)	CAN, at 60° C (MTBF) according to SN29500
	31.3 year(s)	S3/09, at 60° C (MTBF) according to SN29500

### Ambient conditions

Feature	Technical data	Additional information
Ambient temperature	0 ... 45 °C	
Storage temperature	-20 ... 60 °C	
Relative humidity		condensation inadmissible
EMC	EN 61800-3, second environment	interference resistance / immission
	EN 61800-3, C3	emitted interference / emission
Protection category	IP54, IP65	EN 60529, mating connectors mounted
Shock resistance	500 m/s <sup>2</sup> , 11 ms	EN 60068-2-27
Vibration resistance	$\leq 100$ m/s <sup>2</sup> , 5 ... 150 Hz	EN 60068-2-6

### Pin assignment

#### ■ Operating voltage (A-coded)

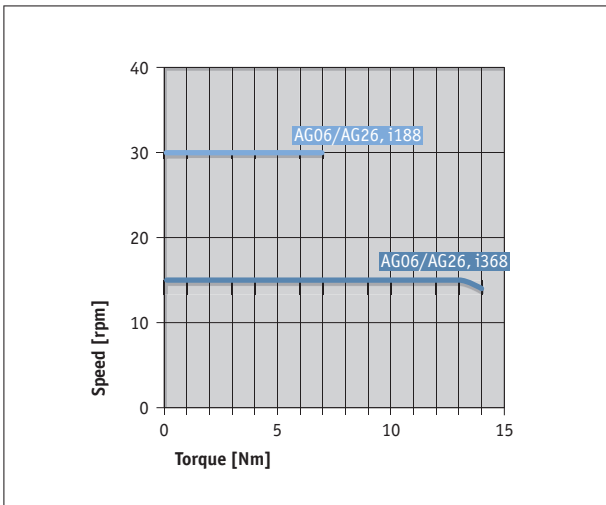
Signal	PIN
+24 V Output stage	1
+24 V Control	2
GND Output stage*	3
GND Control*	4

#### ■ Interfaces M8

Signal	PIN
DÜB/TxRX-/CANL	1
DÜA/TxRX+/CANH	2
Do not connect!	3
SGND*	4

\* internally linked

### Performance curve



### Industry 4.0

In most cases, data exchange with the actuators is limited to the exchange of process data. In addition to the process data, intelligent drives provide additional information that can be evaluated for condition monitoring up to predictive maintenance:

Process Data	Smart Value	Smart Function
Actual position	Temperature	Overload, ambient temperature
Target position	Current	Torque, overload
Speed	Voltage load Voltage control	Voltage drop, line break
	On/Off time	Operating time
	Battery voltage	Battery change planning

### Order

#### Ordering table

Feature	Ordering data	Specification	Additional information
Gear ratio	188	i = 188	
	368	i = 368	
Protection category	IP54	IP54	
	IP65	IP65	
Shaft design/diameter	KR/20	clamping ring, ø20 mm	
		others on request	
Interface/protocol	S3/09	RS485/SIKONETZ5	
	CAN	CANopen	

#### Order key

AG06 Fieldbus - A - 50W - B - C - B - ABM - D - SW

**Scope of delivery:** AG06 Fieldbus, Quick Start Guide



**Accessories you can find:**

*Cable extension KV04S1*

[www.siko-global.com](http://www.siko-global.com)

*Cable extension KV04S2*

[www.siko-global.com](http://www.siko-global.com)

*Easy Touch Control ETC5000*

[www.siko-global.com](http://www.siko-global.com)

*Programming software ProTool DL*

[www.siko-global.com](http://www.siko-global.com)

*Mating Connector Overview*

[www.siko-global.com](http://www.siko-global.com)

*Mating connector, Fieldbus IN, 4-pole, socket*

Order key 84209

*Mating connector, Fieldbus OUT, 4-pole, pin*

Order key 84210

*Mating connector, voltage supply, 4-pole, angle socket*

Order key 83091

*Bus terminating connector, Fieldbus, 4-pole, pin*

Order key BAS-0005