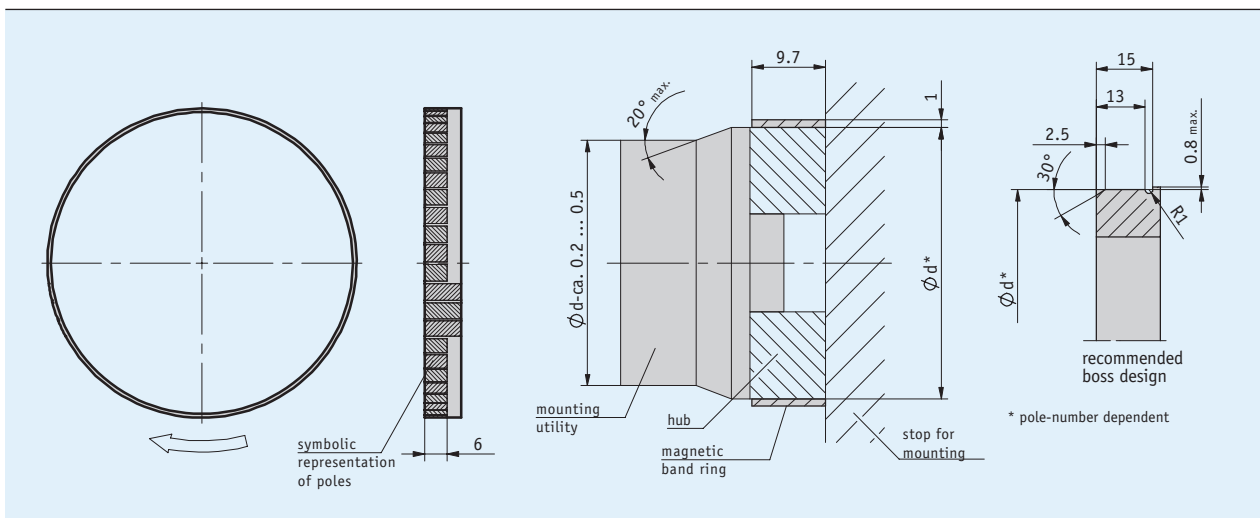


Magnetic band ring MBR100

Incremental, flexible magnetic tape ring for self-assembly, pole length 1 mm

Profile

- With reference point as an option
- Easy mounting on self-made carrier



Mechanical data

Feature	Technical data	Additional information
Band width	9.7 mm	
Band thickness	1 mm	without cover strip or adhesive carrier tape
Mounting type	adhesive connection	recommended two-component adhesive: Uhu Plus 300 Endfest

■ Table of dimensions

Poles	460	540	720	1120
Diameter d [mm]	144.7 ±0.03	170.1 ±0.03	227.4 ±0.03	354.74 ±0.03
Diameter with MBR100 [mm]	146.7 ±0.03	172.1 ±0.03	229.4 ±0.03	356.74 ±0.03
Circumference U with MBR100 [mm]	460.87	540.67	720.68	1120.73
Speed n [min ⁻¹]	≤2600	≤2210	≤1660	≤1070

System data

Feature	Technical data	Additional information
Pole length	1 mm	
Measuring range	360°	

■ Periods/revolution

Pole number	460	540	720	1120
Period	460	540	720	1120

The table applies to the combination of MBR100 with LE100/1

Ambient conditions

Feature	Technical data	Additional information
Ambient temperature	-20 ... 70 °C	
Storage temperature	-20 ... 70 °C	
Relative humidity	100 %	condensation admissible

Order

■ Ordering table

Feature	Ordering data	Specification	Additional information
Pole number	460	A	460 poles
	540		540 poles
	720		720 poles
	1120		1120 poles
			others on request
Reference point	O	B	without
	M		with

■ Order key

MBR100 - -
A B

Scope of delivery: MBR100, Mounting instructions