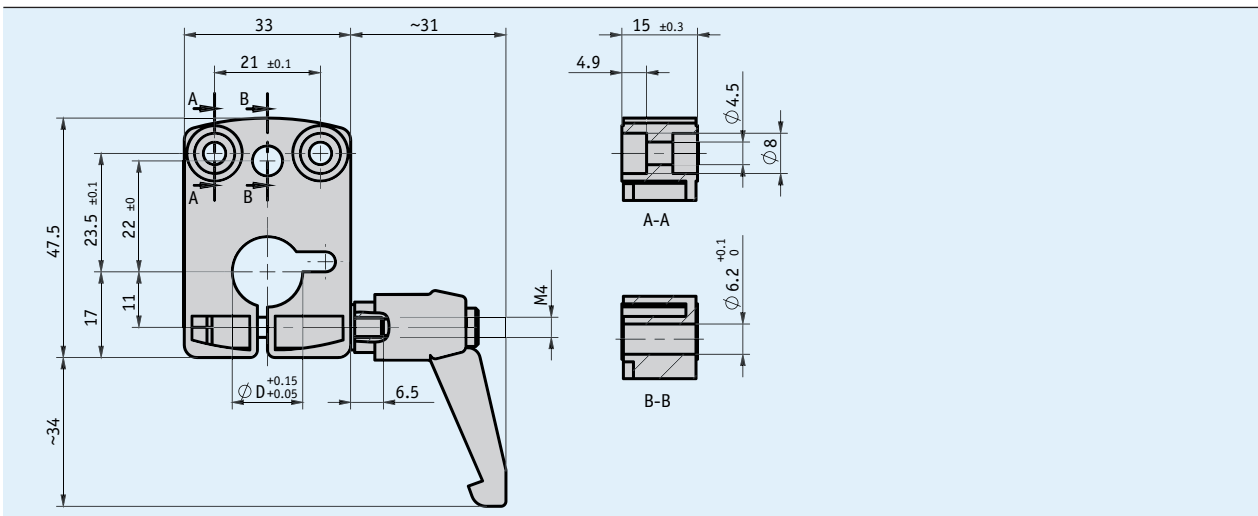


Profile

- Contour matching with DA04 position indicator
- For shaft diameters 8 ... 14 mm
- Robust zinc die-cast design
- Easy mounting and retrofitting



Mechanical data

Feature	Technical data	Additional information
Housing	zinc die-cast	
Clamping lever	plastic, engaging	
Weight	~0.09 kg	

Order

Ordering table

Feature	Ordering data	Specification	Additional information
Bore/diameter	... A	8, 10, 12, 14 in mm	

Order key

KPL04 - A - KH

Scope of delivery: KPL04