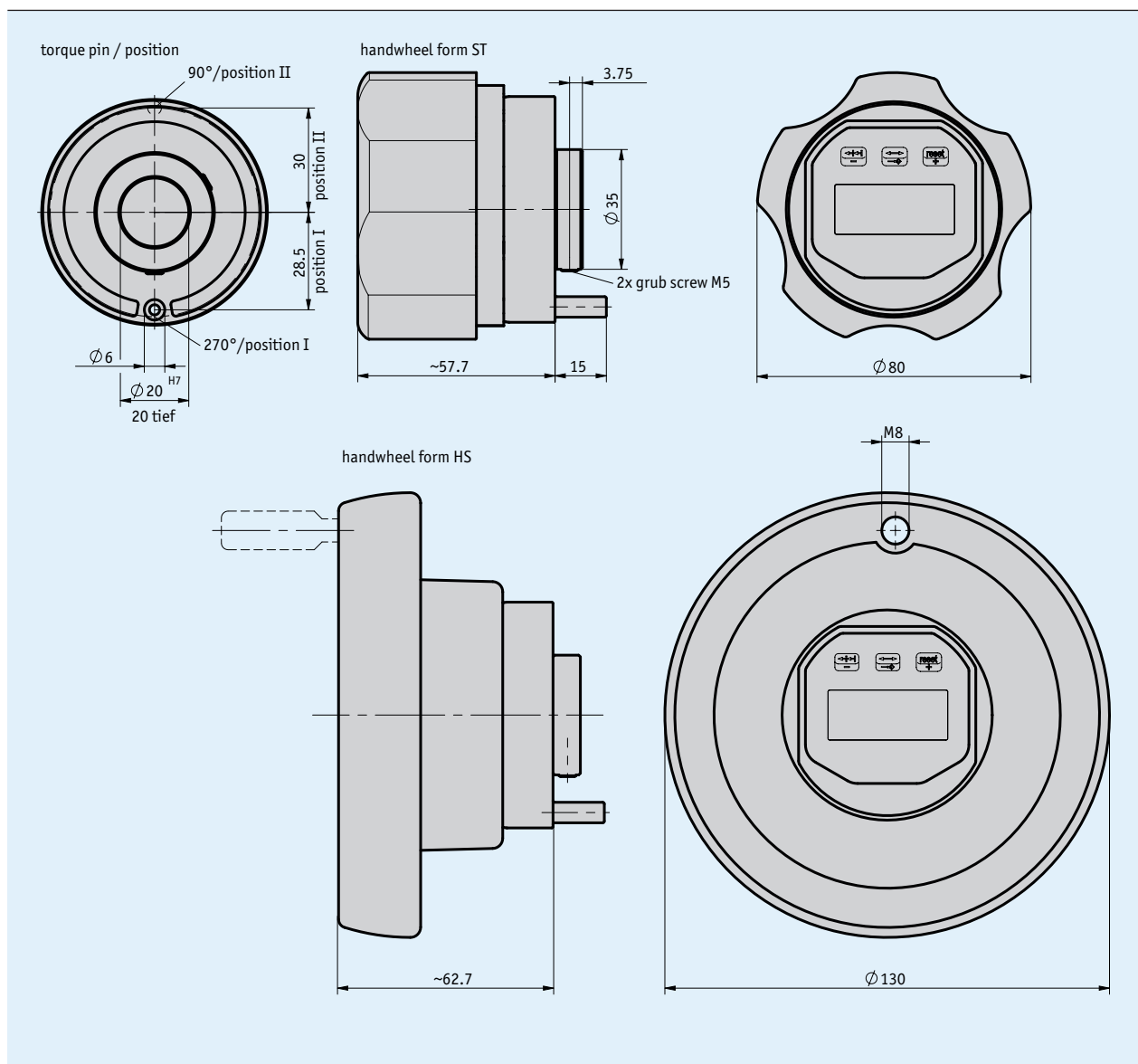


## Profile

- Turning knob with integrated 5-digit LCD display
- Digit height approx. 11,5 mm
- Freely programmable via the ProToolDE programming software
- Usable for length or angle measurement
- Shaft accommodation: max.  $\varnothing$  20 mm
- Long battery life
- With disk handwheel as an option



## Mechanical data

Feature	Technical data	Additional information
Shaft	black-finished steel (supported in friction bearings)	
Housing	plastic	
Speed	≤200 rpm	
Weight	~0.25 kg	

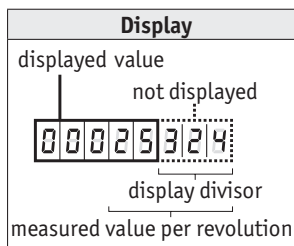
## Electrical data

Feature	Technical data	Additional information
Battery	lithium coin cell, 3 V, CR2477 or CR2477N types	~8-year service life
Display/display range	5-digit LCD 7-segment, ~11.5 mm height	-19999 ... 99999

## Ambient conditions

Feature	Technical data	Additional information
Ambient temperature	-10 ... 60 °C	
Storage temperature	-30 ... 80 °C	
Relative humidity		condensation inadmissible
Protection category	IP65	EN 60529

## Display divisor



### Display divisor

The indication of the measured value on the display can be influenced by means of the divisor (divider). The divisor shifts figures of the measured value into the invisible sector of the display unit. Although the figures are not displayed, they are also calculated by the electronics unit and mathematically rounded.

### Calculation of value displayed (example order text):

Measured value per revolution 25324  
Display divisor 1000

Feature	Displayed value	Measured value
1st revolution	25	25324
2nd revolution	51	50648
3rd revolution	76	75972



Please note that the value displayed (=measured value per revolution / display divisor) must be at least 2!

## Order

### Ordering table

Feature	Ordering data	Specification	Additional information
Handwheel	ST	A star knob	
	HS	A disk hand wheel	
Measured value per revolution*	...	B 00002 ... 90000	see calculation of displayed value
	W3600	B angle mode 0-360°, resolution 0.1°	only with decimal place "1"
	Z3600	B angle mode -180 ... +180°, resolution 0.1°	only with decimal place "1"
Decimal place*	0	C 0 = 00000	
	1	C 1 = 0000.0	
	2	C 2 = 000.00	
	3	C 3 = 00.000	
Display divisor*	...	D 1, 10, 100, 1000	see calculation of displayed value
Counting direction*	i	E clockwise ascending values	
	e	E counter-clockwise ascending values	
Key pad operation*	D	F reset direct	
	V	F reset 5 sec. delayed	
Hollow shaft/diameter	20	G ø20 mm	
	...	G RH8, RH10, RH12, RH14	reducing bushes
		others on request	
Torque pin/position	I	H 28.5 mm	
	II	H 30.0 mm	
Torque pin/position	270	I see drawing	only with position I
	90	I see drawing	only with position II

\* Programmable via ProTool DE programming software

### Order key

DKE01 -  -  -  -  -  -  -  -  -  -

A      B      C      D      E      F      G      H      I

**Scope of delivery:** DKE01

#### Accessories:

Programming software ProTool DE  
 Reduction sleeve RH  
 Handwheel holder UG  
 Handwheel holder ZGD  
 Handwheel holder BGF  
 Handwheel holder BGD

[www.siko-global.com](http://www.siko-global.com)  
[www.siko-global.com](http://www.siko-global.com)  
[www.siko-global.com](http://www.siko-global.com)  
[www.siko-global.com](http://www.siko-global.com)  
[www.siko-global.com](http://www.siko-global.com)  
[www.siko-global.com](http://www.siko-global.com)