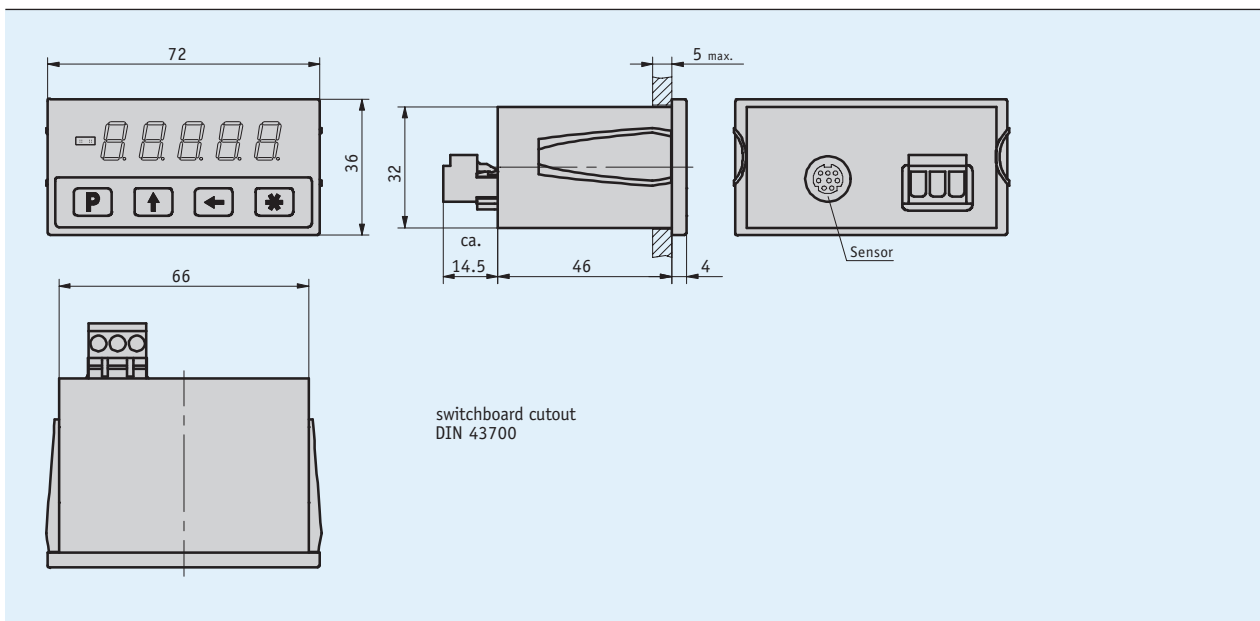


## Profile

- Display accuracy max. 10  $\mu\text{m}$
- Repeat accuracy max.  $\pm 0.01 \text{ mm}$
- Incremental measurement and calibration function
- Direct reference/offset value input
- Calibration input
- Works with sensor MSA



## Mechanical data

Feature	Technical data	Additional information
Housing design	built-in housing, plastic (transparent red)	switchboard cutout $68^{+0.7} \times 33^{+0.6}$ IEC 61554

## Electrical data

Feature	Technical data	Additional information
Operating voltage	10 ... 30 V DC	
Current consumption	<50 mA	at 24 V DC
Display/display range	5-digit, LED 7-segment, 10 mm height red	-99999 ... 99999
Type of connection	screw terminal strip	6-pole (supply)
	mini-DIN	8-pole, 1x socket (MSA sensor)

## System data

Feature	Technical data	Additional information
Resolution	0.01, 0.05, 0.1, 1 mm 0.001, 0.01 inch	programmable angle display
System accuracy	±(0.05 + 0.03 x L) mm, L in m	
Repeat accuracy	±0.01 mm	±1 increment
Travel speed	≤5 m/s	

## Ambient conditions

Feature	Technical data	Additional information
Ambient temperature	0 ... 50 °C	
Storage temperature	-20 ... 85 °C	
Relative humidity	≤95 %	condensation inadmissible
EMC	EN 61000-6-2 EN 61000-6-4	interference resistance / immission emitted interference / emission
Protection category	IP40 whole device IP60 at the front with switchboard installation	EN 60529 EN 60529

## Pin assignment

Signal
CAL
+UB
GND

## Order

### Ordering information

one or more system components are required:

Magnetic sensor MSA

[www.siko-global.com](http://www.siko-global.com)

### Order key

MA561 - MSA

*Scope of delivery: MA561, Mounting instructions*